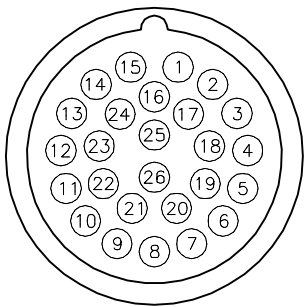


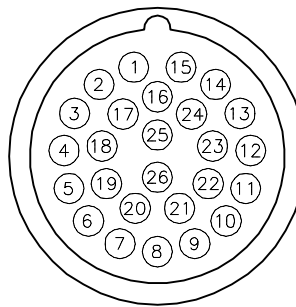
MALE END VIEW



- 1 = BROWN
- 2 = WHITE/GREY
- 3 = BLUE/GREY
- 4 = BROWN/GREY
- 5 = BLACK/YELLOW
- 6 = WHITE/YELLOW
- 7 = BLUE/YELLOW
- 8 = BROWN/YELLOW
- 9 = BLACK/RED
- 10 = WHITE/RED
- 11 = BLUE/RED
- 12 = BROWN/RED
- 13 = BLACK
- 14 = WHITE
- 15 = BLUE/ORANGE
- 16 = BLACK/GREY
- 17 = BROWN/ORANGE
- 18 = WHITE/ORANGE
- 19 = BLACK/ORANGE
- 20 = BLACK/GREEN
- 21 = WHITE/GREEN
- 22 = BROWN/GREEN
- 23 = N/C
- 24 = BLUE
- 25 = BLUE/GREEN
- 26 = GREEN/YELLOW

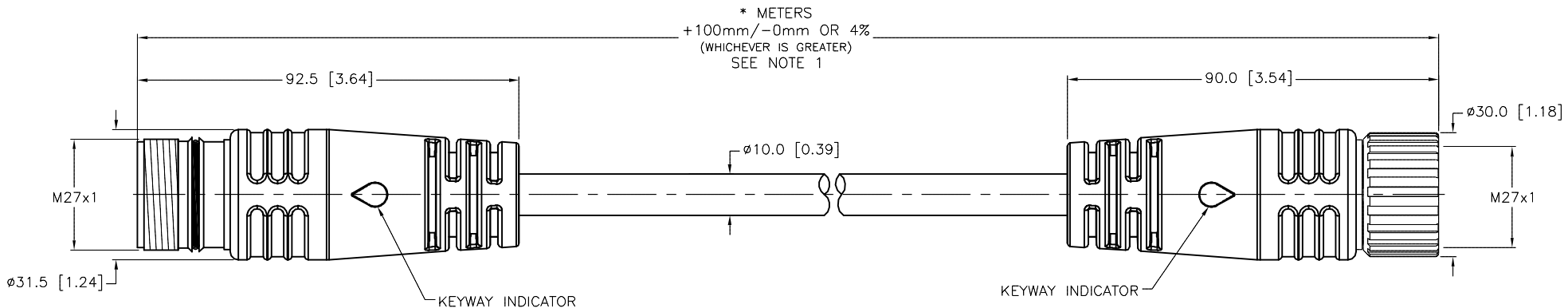
DRAIN/SHIELD

FEMALE END VIEW



SPECIFICATIONS

CONTACT CARRIER MATERIAL	NYLON or PBT
CONTACT MATERIAL/PLATING	BRASS/GOLD
COUPLING NUT MATERIAL/PLATING	BRASS/NICKEL
MOLDED HEAD MATERIAL/COLOR	TPU/BLACK
RATED CURRENT [A]	3.0 A
RATED VOLTAGE [V]	150 V
OUTER JACKET MATERIAL/COLOR	PVC/YELLOW
CONDUCTOR INSULATION MATERIAL	PVC
NUMBER OF CONDUCTORS [AWG]	25x22 AWG
DRAIN/SHIELD	22 AWG/ALUM.-POLYESTER FOIL
PROTECTION CLASS	IEC IP67
TEMPERATURE	-40°C TO +105°C (-40°F TO +221°F)



SOURCE DRAWING - FOR REFERENCE ONLY

NOTES:

- "*" INDICATES CABLE LENGTH IN METERS. CONTACT TURCK TO ORDER SPECIFIC LENGTHS.
- "/CS11130" DESIGNATES CUSTOMER SPECIFIED PINOUT.

RELATED DOCUMENTS 1. 2. 3. 4.	3RD ANGLE PROJECTION	THIS DRAWING IS CONFIDENTIAL AND THE PROPERTY OF TURCK INC. USE OF THIS DOCUMENT WITHOUT WRITTEN PERMISSION IS PROHIBITED.			TURCK IAC High Technology Sensors and Automation Controls 3000 CAMPUS DRIVE MINNEAPOLIS, MN 55441 1-800-544-7769 (763) 553-7300 (763) 553-0708 fax turck.com					
	MATERIAL						DRFT	RDS	DATE	04/22/08
	SEE SPECIFICATIONS						APVD		SCALE	1=1.5
	FINISH						UNIT OF MEASUREMENT		DESCRIPTION	
SEE SPECIFICATIONS	CONTACT TURCK FOR MORE INFORMATION		MILLIMETER [INCH]		DSSM DKM 26-631-*/CS11130					
DO NOT SCALE THIS DRAWING			IDENTIFICATION NO.		REV					
FILE: 777021543			SHEET 1 OF 1		D					

D	UPDATE RATED CURRENT	RDS	02/12/14	44777
REV	DESCRIPTION	BY	DATE	ECO NO.